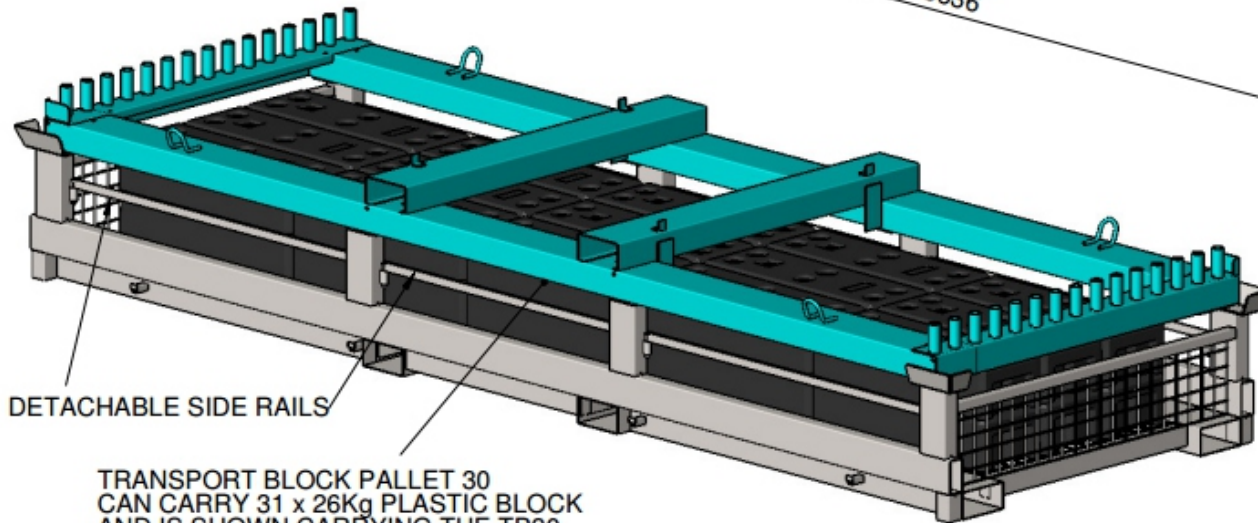
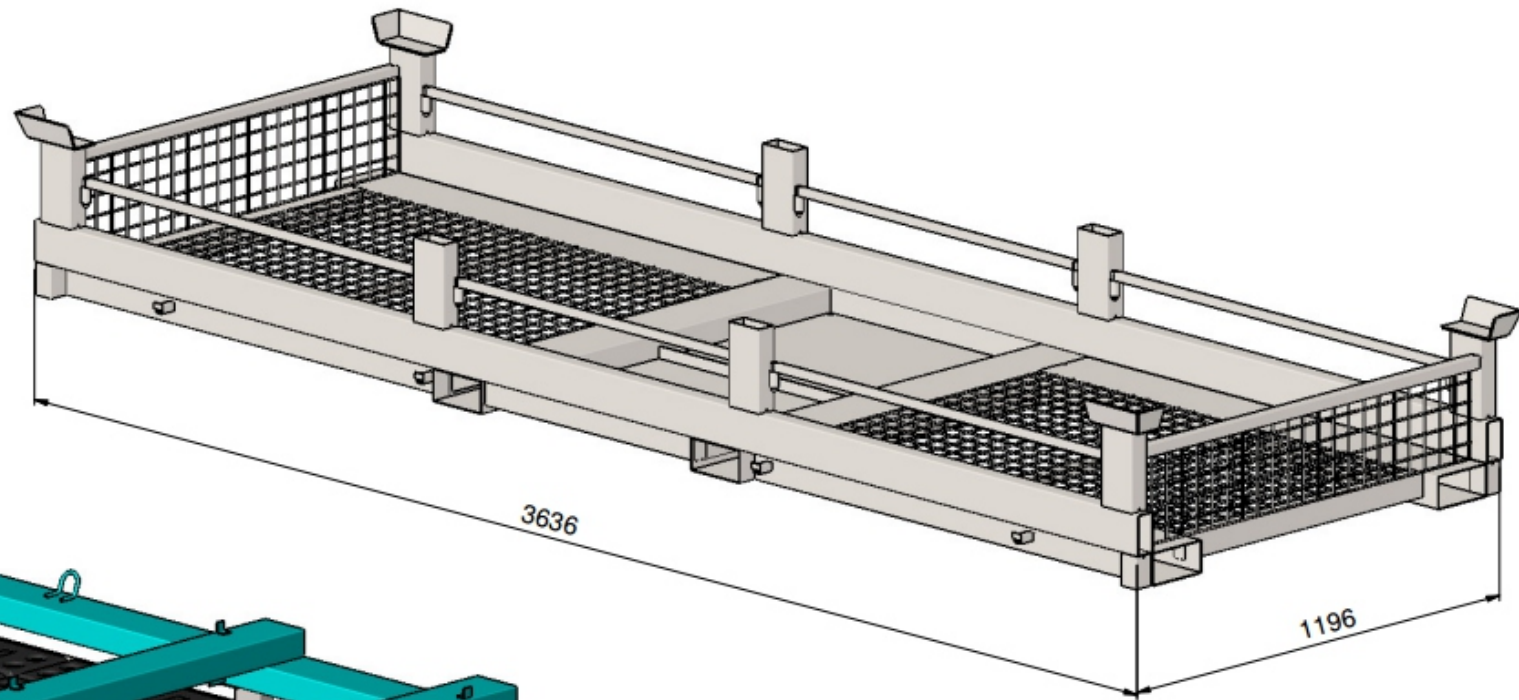


ALL DIMENSIONS IN MILLIMETRES
REMOVE ALL SHARP EDGES

THIRD ANGLE PROJECTION
DO NOT SCALE DRAWING



DETACHABLE SIDE RAILS

TRANSPORT BLOCK PALLET 30
CAN CARRY 31 x 26Kg PLASTIC BLOCK
AND IS SHOWN CARRYING THE TP30

0	24/8/16	ISSUED FOR MANUFACTURE	GC		
P7	17/5/16	ISSUED FOR APPROVAL	GC		
REV	DATE	DESCRIPTION	DRN	CHKD	APPR

TOLERANCES - UNLESS STATED OTHERWISE		
UNTOLERANCED DIMENSIONS	+/- 2mm	
CUTTING LENGTHS	+/- 2mm	
FABRICATION	UP TO 300mm	+/- 1mm
	UP TO 1000mm	+/- 2mm
	1001mm & ABOVE	+/- 3mm
	ANGULAR	+/- 1°
MACHINING	+/- 0.2mm	
GAUGE	+/- 10%	
WEIGHT	+/- 10% (DUE TO MATERIAL PROPERTIES & TOLERANCES)	

Fusspalette Standard

NAME	SIGNATURE	DATE
DRAWN G. CRICK		1/3/16
CHK'D		
FINISH: HOT DIPPED GALVANISED		

MATERIAL:
CARBON STEEL
GRADE S235

Berntfjord.DE
Absperung Bauzaun

Draw / Stockcode No.

1114

Revision

0

THE COMPANY RETAIN THE RIGHT TO PERIODICALLY ALTER INFORMATION WITHIN THIS DRAWING SHEET AND WILL ATTEMPT TO NOTIFY ALL PARTIES CONCERNED OF ANY CHANGES AND THE INFORMATION ON THIS SHEET SHOULD NOT BE REPRODUCED WITHOUT THEIR WRITTEN CONSENT.

WEIGHT: 148 Kg

SCALE: 1:12.5

SHEET 1 OF 22

A3