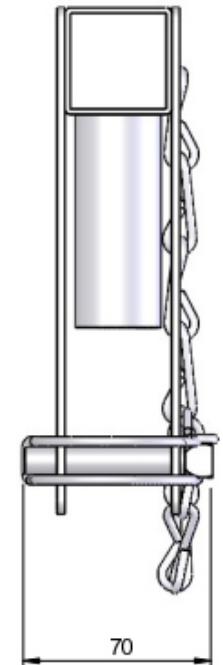
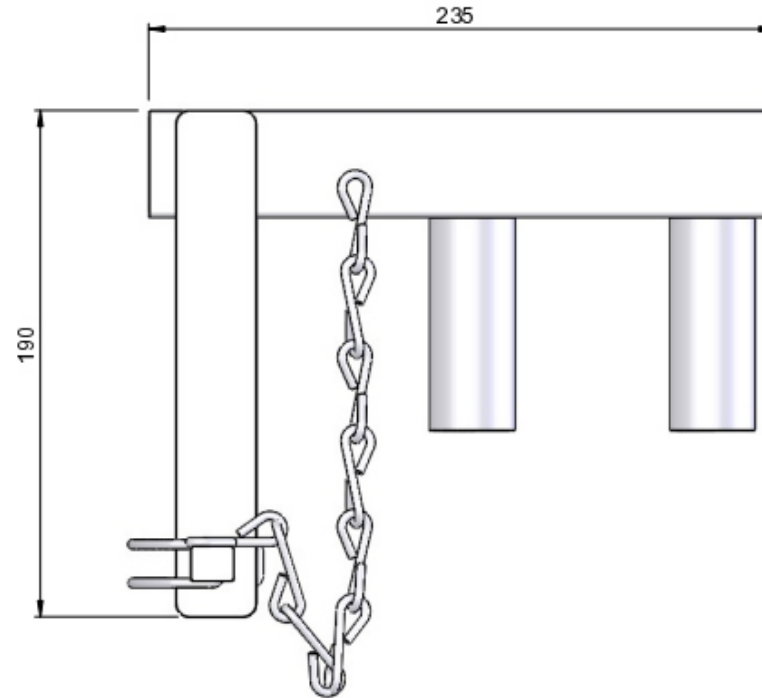
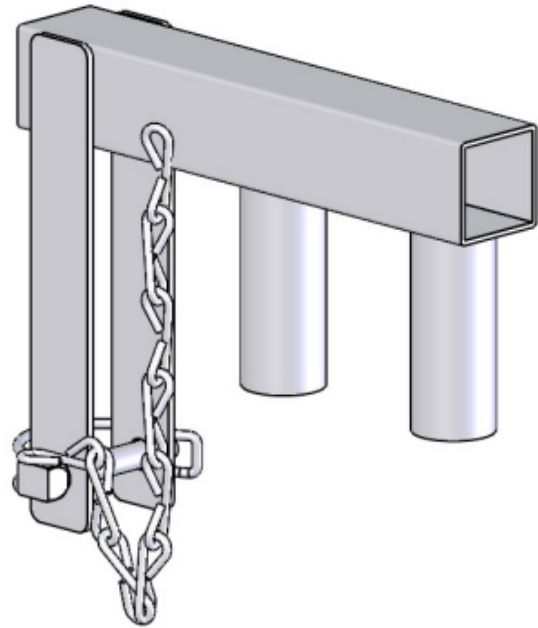
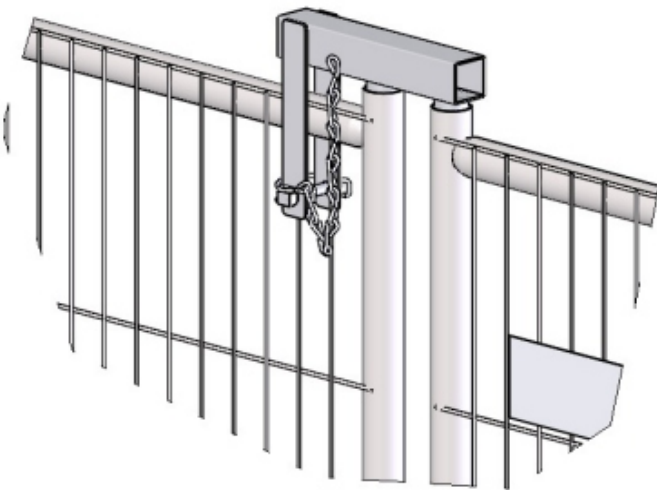


1 2 3 4 5 6 7 8
 ALL DIMENSIONS IN MILLIMETRES
 REMOVE ALL SHARP EDGES

THIRD ANGLE PROJECTION
 DO NOT SCALE DRAWING



1	11/10/16	ISSUED FOR MANUFACTURE	GC		
0	25/5/8	ISSUED FOR MANUFACTURE	GC		
REV	DATE	DESCRIPTION	DRN	CHKD	APPR



TOLERANCES - UNLESS STATED OTHERWISE	
UNTOLERANCED DIMENSIONS	+/- 2mm
CUTTING LENGTHS	+/- 2mm
FABRICATION	UP TO 300mm +/- 1mm
	UP TO 1000mm +/- 2mm
	1001mm & ABOVE +/- 3mm
ANGULAR	+/- 1°
MACHINING	+/- 0.2mm
GAUGE	+/- 10%
WEIGHT	+/- 10% (DUE TO MATERIAL PROPERTIES & TOLERANCES)

TITLE Drehgelenk				MATERIAL: CARBON STEEL GRADE S235	
NAME	SIGNATURE	DATE	DRAWN G. CRICK 2 14/8	CHK'D	FINISH: HOT DIPPED GALVANISED
WEIGHT: 1.2 Kg					

Bernfjord.DE
 Absperrung Bauzaun

Drw / Stockcode No. **1045** Revision **1**

THE COMPANY RETAIN THE RIGHT TO PERIODICALLY ALTER INFORMATION WITHIN THIS DRAWING SHEET AND WILL ATTEMPT TO NOTIFY ALL PARTIES CONCERNED OF ANY CHANGES AND THE INFORMATION ON THIS SHEET SHOULD NOT BE REPRODUCED WITHOUT THEIR WRITTEN CONSENT.