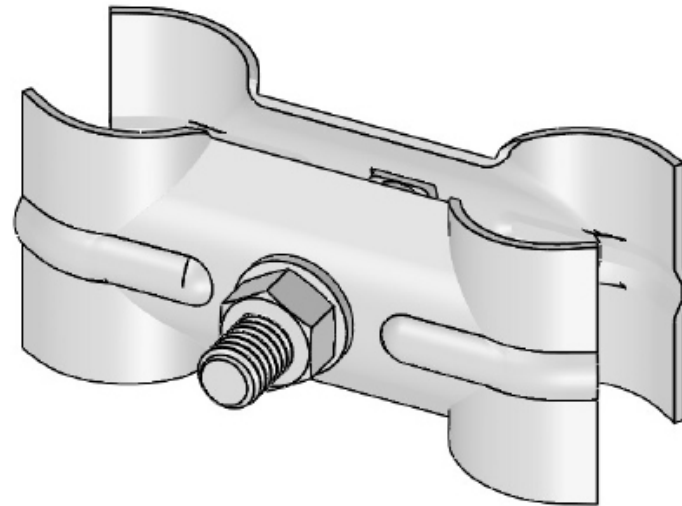


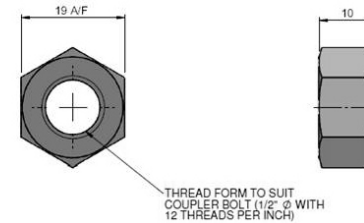
1  
2  
3  
4  
5  
6  
7  
8  
1035  
THIRD ANGLE PROJECTION  
DO NOT SCALE DRAWING

ALL DIMENSIONS IN MILLIMETRES  
REMOVE ALL SHARP EDGES

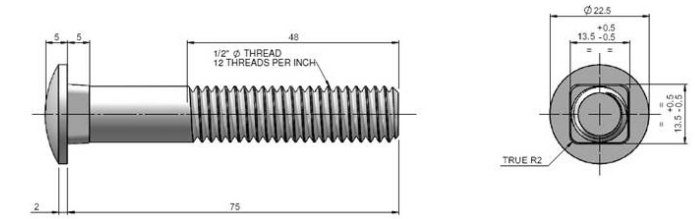


Coupler Length 121mm  
Coupler Width 56mm  
Coupler Thickness 2mm

Nut



Bolt



4	25/5/15	ISSUED FOR MANUFACTURE	GC		
3	19/6/14	ISSUED FOR MANUFACTURE	GC		
REV	DATE	DESCRIPTION	DRN	CHKD	APPR

TOLERANCES - UNLESS STATED OTHERWISE		TITLE:
UNTOLERANCED DIMENSIONS	± 2mm	Verbinderschelle Standard 19er
CUTTING LENGTHS	± 2mm	
FABRICATION	UP TO 300mm	DRAWN G. CRICK 9/1/14
	UP TO 1000mm	
	1001mm & ABOVE	
ANGULAR	± 1°	CHK'D
MACHINING	± 0.2mm	FINISH:
GAUGE	± 10%	HOT DIPPED GALVANISED
WEIGHT	± 10% (DUE TO MATERIAL PROPERTIES & TOLERANCES)	CARBON STEEL

NAME	SIGNATURE	DATE	MATERIAL:
		9/1/14	CARBON STEEL
HOT DIPPED GALVANISED			WEIGHT: 310g

**Bernfjord**.DE  
Absperrung Bauzaun

Drw / Stockcode No. **1035** Revision **4**

THE COMPANY RETAIN THE RIGHT TO PERIODICALLY ALTER INFORMATION WITHIN THIS DRAWING SHEET AND WILL ATTEMPT TO NOTIFY ALL PARTIES CONCERNED OF ANY CHANGES AND THE INFORMATION ON THIS SHEET SHOULD NOT BE REPRODUCED WITHOUT THEIR WRITTEN CONSENT.