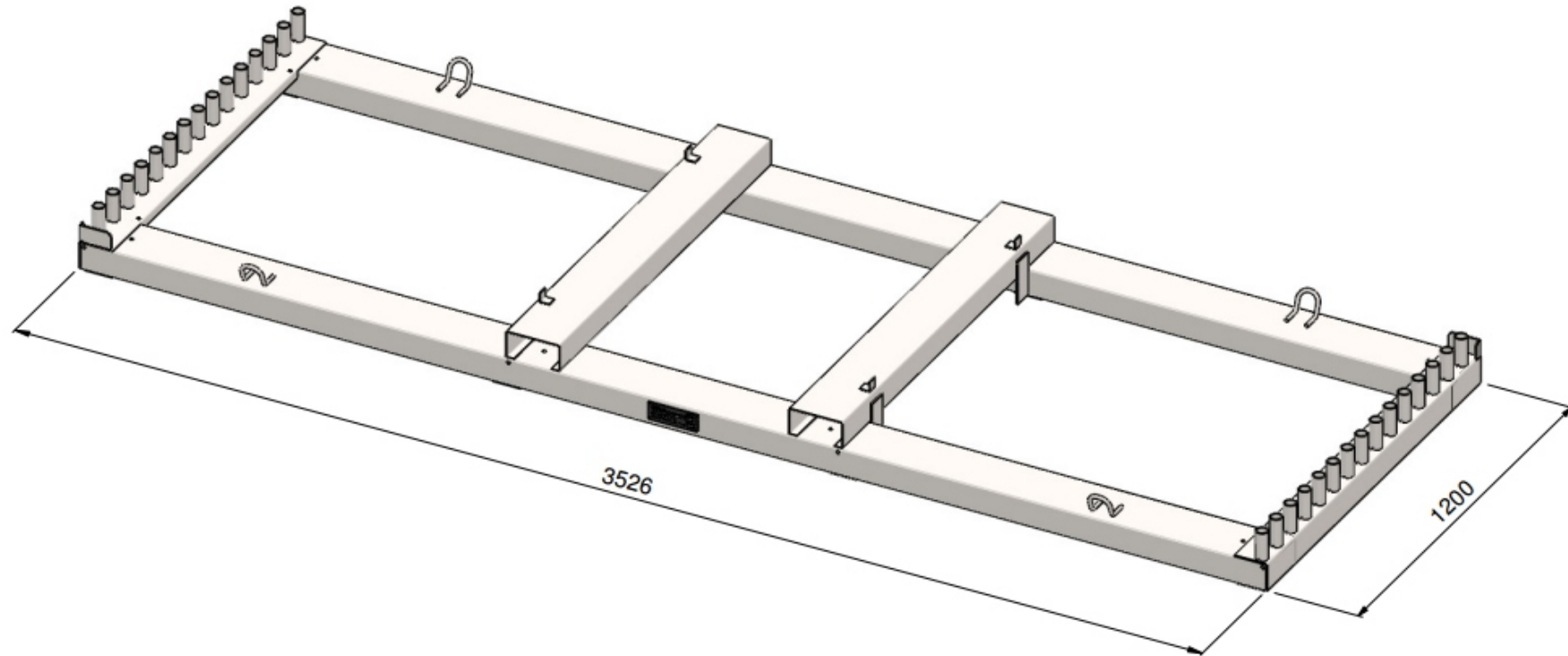


ALL DIMENSIONS IN MILLIMETRES
REMOVE ALL SHARP EDGES

1113 8
THIRD ANGLE PROJECTION
DO NOT SCALE DRAWING



WEIGHT NOTE:
WEIGHT BEFORE GALVANISING = 90 Kg
WEIGHT GALVANISED = 95.5 Kg (ASSUMING 6% ADDED)

3	27/5/15	ISSUED FOR MANUFACTURE	GC		
2	19/6/14	ISSUED FOR MANUFACTURE	GC		
REV	DATE	DESCRIPTION	DRN	CHKD	APPR

TOLERANCES - UNLESS STATED OTHERWISE		TITLE
UNTOLERANCED DIMENSIONS	+/- 2mm	Transportgestell Standard
CUTTING LENGTHS	+/- 2mm	
FABRICATION	UP TO 300mm	+/- 1mm
	UP TO 1000mm	+/- 2mm
	1001mm & ABOVE	+/- 3mm
	ANGULAR	+/- 1°
MACHINING	+/- 0.2mm	
GAUGE	+/- 10%	
WEIGHT	+/- 10% (DUE TO MATERIAL PROPERTIES & TOLERANCES)	

NAME	SIGNATURE	DATE	MATERIAL:
DRAWN G. CRICK		20/11/13	CARBON STEEL
CHK'D			
FINISH:			
HOT DIPPED GALVANISED			

Bernfjord.DE
Absperrung Bauzaun

Drw / Stockcode No. **1113** Revision **3**

THE COMPANY RETAIN THE RIGHT TO PERIODICALLY ALTER INFORMATION WITHIN THIS DRAWING SHEET AND WILL ATTEMPT TO NOTIFY ALL PARTIES CONCERNED OF ANY CHANGES AND THE INFORMATION ON THIS SHEET SHOULD NOT BE REPRODUCED WITHOUT THEIR WRITTEN CONSENT.

WEIGHT: SEE NOTE

SCALE: 1:12.5

SHEET 1 OF 12

A3