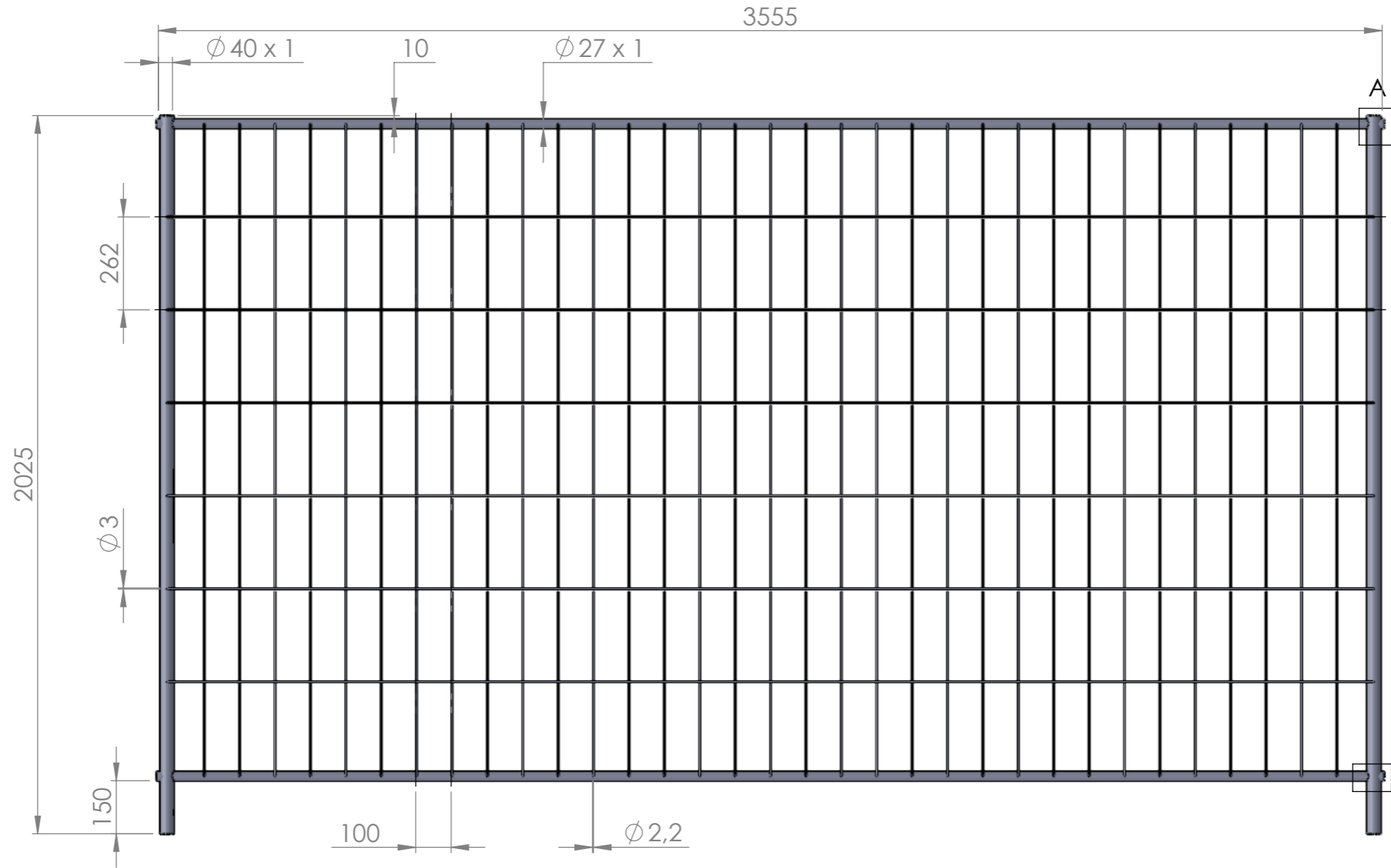
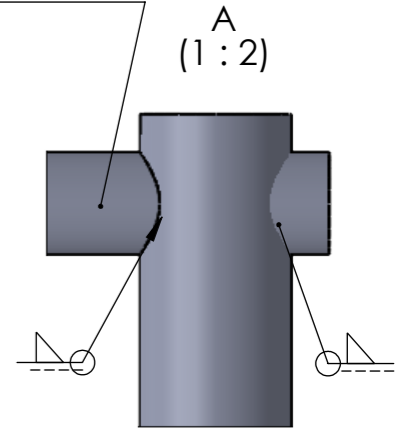


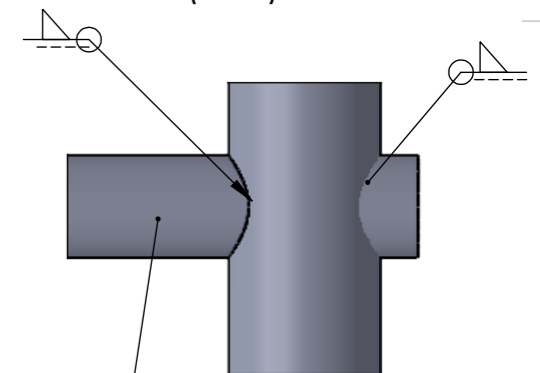
ALL DIMENSIONS IN MILLIMETERS



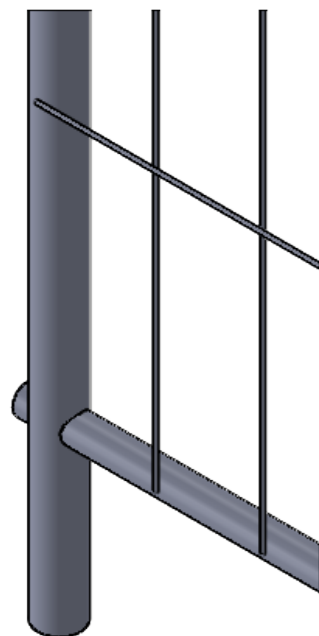
Cross tube recessed into the vertical tube



B (1:2)



Cross tube recessed into the vertical tube



TITLE: **Bernfjord Standard 27**
Duo HaOs

DRAWN	BINCZAK	SGN	DATE	WEIGHT:	12 kg
CHK'D			04/02/24		
FINISH:	PRE GALVANISED		TOLERANCE:	±5%	



CODE: 10069 Revision